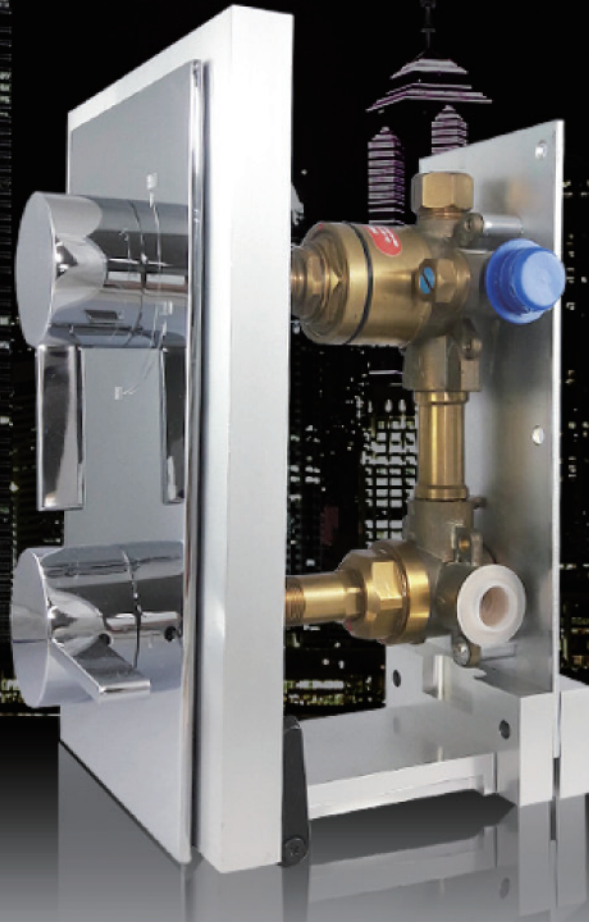


Thermostatic Mixing Valve / 2-Handle Pressure Balancing Valve with 2 Way Diverter

The constant temperature of bathroom water supply makes water usage efficient and resource-saving.



鉅門企業

SEAMAN
ENTERPRISE
CO., LTD.



鉅門企業股份有限公司
SEAMAN ENTERPRISE CO., LTD.

About Seaman Enterprise

Seaman Enterprise Co., Ltd. was established in 1978, and is a bathroom fixtures precision manufacturer with deep technological and development capabilities. The company owns 5 core control technologies, which are water volume, water pressure balance, water diverter, water temperature and water metering control; and by combining a complete production line and strict product inspection system, it provides OEM and ODM products for global marketing. Seaman Enterprise is committed to the field of green building materials, Thermostatic Mixing Valve & Pressure Balancing Valve produced by the company could stabilize the water temperature thus reducing waste of water resources. Seaman Enterprise will continue to improve mechanical equipment, raise testing and production standards, using its professional domestic experiences to respond to the constant changing demands of the international market.

Product Introduction

Thermostatic Mixing Valve, which could stabilize the supply of hot water by controlling the water heater, reduces the frequency of temperature adjustments and thus avoid the waste of water resources. In regards of temperature control, there is a protection mechanism preventing user from scalding burns when cold water fails to supply. The function not only guarantees safety but also save energy and reduce carbon.

Thermostatic Mixing Valve

Could be applied in various types of water storage containers, water heaters and infrared sensor faucets. The product could control the optimal temperature by itself, and ensure that the mixed water could be distributed throughout the whole water supply system.



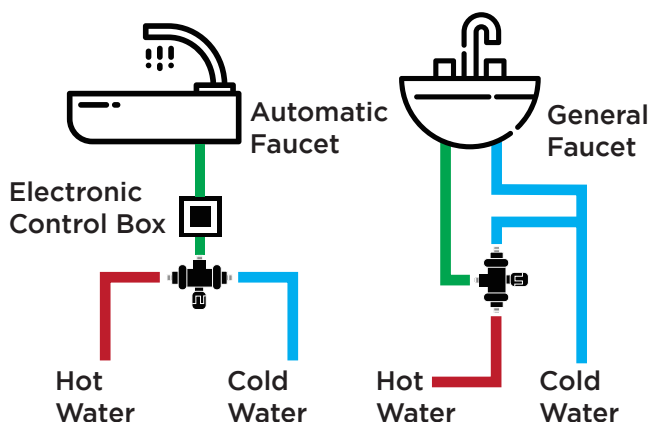
Temperature Stabilized



Resource-Saving



Installation Diagram

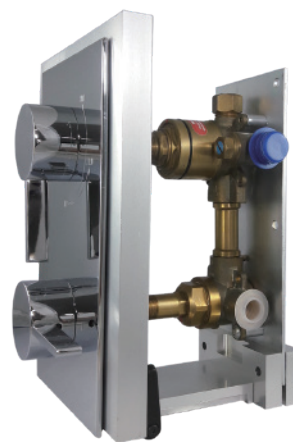


2-Handle Pressure Balancing Valve with 2 Way Diverter

Pressure Balancing Valve is suitable for showering equipment in high water pressure buildings, that would automatically balance the pressure of water supply and stabilize the temperature that is needed within the target range. This design could greatly reduce the frequency of manual temperature adjustments, so that clientele does not waste water resources, thereby achieving energy saving and environmental protection.

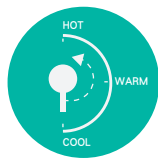
The products are suitable for shower installation, which contains (pressured) Thermostatic Mixing Valve, that could quickly adjusted to suitable showering temperature by turning the shower handle.

2-Handle Pressure Balancing Valve with 2 Way Diverter



Stability of water pressure

As the product is made from strong and durable forged brass, it could withstand high water pressure and stabilized the water temperature.



Freely choose the temperature

Multi-function trim for temperature and diverter provides temperature control, ensuring that the temperature remains constant.



Hot and cold faulty protection

The maximum delivery temperature is restricted by regulator. If the hot and cold water supply malfunctions, the valve will automatically close due to the control of the regulator.



ASME A112.18.1 /CSA B125.1



ASSE 1016

